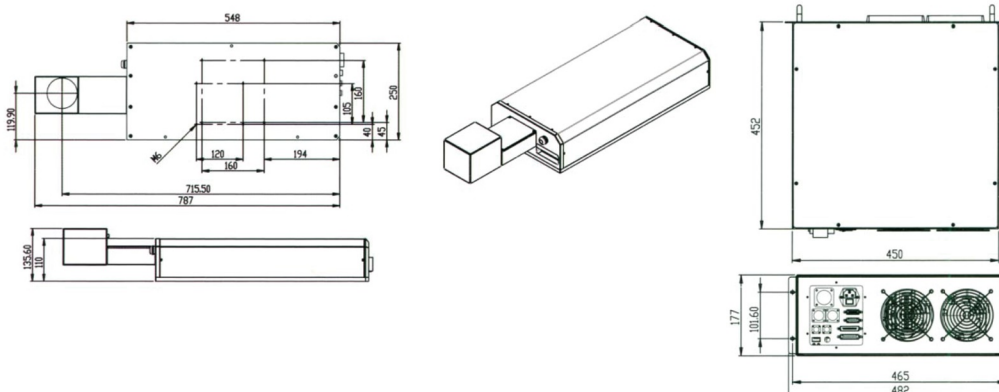


● 系列規格 Specifications

Model	ILC-U-5UV	ILC-U-8UV	ILC-U-10UV
Laser Wavelength 雷射波長	355nm		
Power 雷射功率	≥ 5W	≥ 8W	≥ 10W
Marking Features 雷射特點	Char.Size 字符高度 : 0.3mm-Max. marking scope of lens		
	Min. line width 最小線寬 : 0.035mm		
	Repeatability 重覆精度 : <20urad		
	Repeatability Frequency 頻率範圍 : 30-200K (UV better life time @40K around Frequency), 20-200K (Green)		
	Lens scope 鏡頭範圍 : 110x110mm, optional for 70x70mm · 140x140mm · 200x200mm		
	Marking content 雷射字型 : TTF, single line font, graphics (jpg,mp,dxf,ai etc.) bar code, 2D code, S/N		
	Language(語言) : Simple Chinese, Traditional Chinese, English, Japanese, German, Polish, Turkish, Vietnamese, etc.		
	Marking mode 雷射模式 : Rotary marking, communication marking (RS232, TCP / IP)		
Operation Method 用戶操作	Hi-integrated PC, legal Win7, MarkingMate Light software, optional for MaringMatae 高集成電腦 · 正版Win7系統 · MM軟件		
	Chiller aviation connector, RF port, control panel port, scan head port, USB port 冷水機航插進 / 出口 · Q驅射頻 / 振鏡接口		
	Reserved DB25 port (for wiring I / O, external control, flow signal etc.) 預留DB25口 · 用于引出 I / O / 外控 / 流程信號等		
Other Features 其他特點	The interconnection cable length is 2.5M between main enclosure and laser unit 電控箱與雷射頭間互連線纜長度2.5m		
	Power supply 電力需求 : 100-240V, 50/60HZ		
	Environment temperature 環境溫度 : 18-35°C		
	Water 水冷		
Power Consumption 整機耗電功率	1500W		
Weight 整機重量	75kg (包含水箱50kg)		
Optional 可選配件	Lifter workbench 櫃式工作桌 · 帶防護罩 · lifting range : 80-500mm, 600x1130x1543mm		
	Lifter workbench 升降工作臺 · lifting range : 80-500mm		
	Display, K/B, Mouse pad 顯示屏 · 鍵盤 · 鼠標 · 軟墊		
	Desktop lifter 升降臺 · Lifting range : 80-500mm		
	Rotary axis 旋轉軸 : holding range for internal jaws : 2-22mm(inside), 25-70mm(outside), external jaws : 22-63mm(inside), Concentricity : <0.01mm		
	Photo electronic sensor 光電開關 : fast response and long distance		
	Pedal switch, laser control panel 腳踏開關 · 雷射控制面板		

UV Series



● 系列規格 Specifications

Model	ILC-U-6GN	ILC-U-8-GN	ILC-U-10GN
Laser Wavelength 雷射波長	355nm		
Power 雷射功率	≥ 6W	≥ 8W	≥ 10W
Marking Features 雷射特點	Char.Size 字符高度 : 0.3mm-Max. marking scope of lens		
	Min. line width 最小線寬 : 0.035mm		
	Repeatability 重覆精度 : <20urad		
	Repeatability Frequency 頻率範圍 : 30-200K (UV better life time @40K around Frequency), 20-200K (Green)		
	Lens scope 鏡頭範圍 : 110x110mm, optional for 70x70mm、140x140mm、200x200mm		
	Marking content 雷射字型 : TTF, single line font, graphics (jpg,mp,dxf,ai etc.) bar code, 2D code, S/N		
	Language(語言) : Simple Chinese, Traditional Chinese, English, Japanese, German, Polish, Turkish, Vietnamese, etc.		
	Marking mode 雷射模式 : Rotary marking, communication marking (RS232, TCP / IP)		
Operation Method 用戶操作	Hi-integrated PC, legal Win7, MarkingMate Light software, optional for MaringMatae 高集成電腦· 正版Win7系統· MM軟件		
	Chiller aviation connector, RF port, control panel port, scan head port, USB port 冷水機航插進 / 出口· Q驅射頻 / 振鏡接口		
	Reserved DB25 port (for wiring I / O, external control, flow signal etc.) 預留DB25口· 用于引出 I / O / 外控 / 流程信號等		
Other Features 其他特點	The interconnection cable length is 2.5M between main enclosure and laser unit 電控箱與雷射頭間互連線纜長度2.5m		
	Power supply 電力需求 : 100-240V, 50/60HZ		
	Environment temperature 環境溫度 : 18-35°C		
	Water 水冷		
Power Consumption 整機耗電功率	1500W		
Weight 整機重量	75kg (包含水箱50kg)		
Optional 可選配件	Lifter workbench 櫃式工作桌· 帶防護罩· lifting range : 80-500mm, 600x1130x1543mm		
	Lifter workbench 升降工作臺· lifting range : 80-500mm		
	Display, K/B, Mouse pad 顯示屏· 鍵盤· 鼠標· 軟墊		
	Desktop lifter 升降臺· Lifting range : 80-500mm		
	Rotary axis 旋轉軸 : holding range for internal jaws : 2-22mm(inside), 25-70mm(outside), external jaws : 22-63mm(inside), Concentricity : <0.01mm		
	Photo electronic sensor 光電開關 : fast response and long distance		
	Pedal switch, laser control panel 腳踏開關· 雷射控制面板		

Green Series

